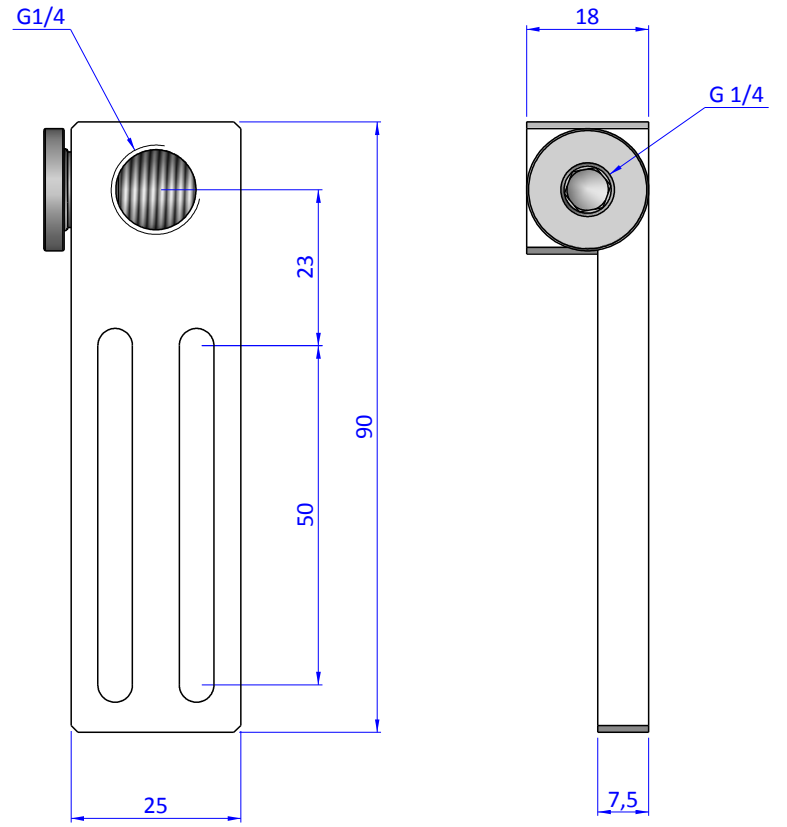
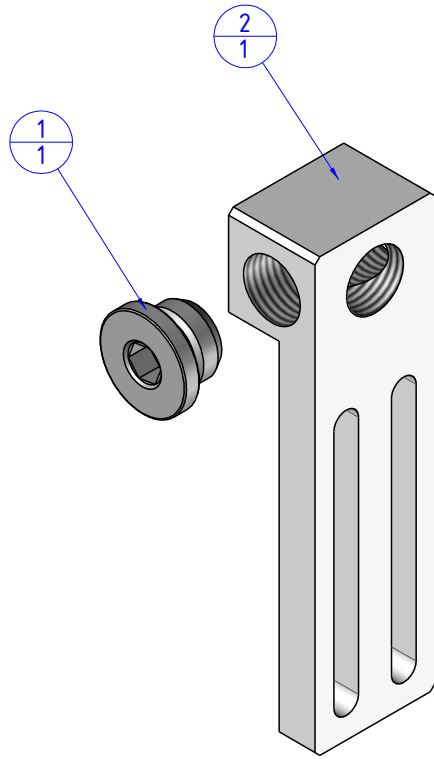


THE PROPERTY OF THE DRAWING IS ESTABLISHED BY LAW. IT IS FORBIDDEN TO PRODUCE OR SHOW IT TO THIRD PARTY, WITHOUT A WRITTEN AGREEMENT.

Item	Name	Q. ty
1	CA.08.14.015	1
2	WLS.14.14	1



Format A3

UNI 936-76

FP SERVICES AUTOMATION			DESIGNED FROM FPSERVICES	REVIEW A
GENERAL TOLERANCE UNI - ISO 2768 CLASSE f	DESCRIPTION CA.WLS.14.14		DATE 27/02/2019	WEIGHT 0,040kg
			CODE CA.WLS.14.14	